

# Innovations Customized

**MRS**<sup>®</sup>  
**MODULAR**  
RACK SYSTEMS PVT LTD

**OPEN RACK  
SERIES**

**2 POST**



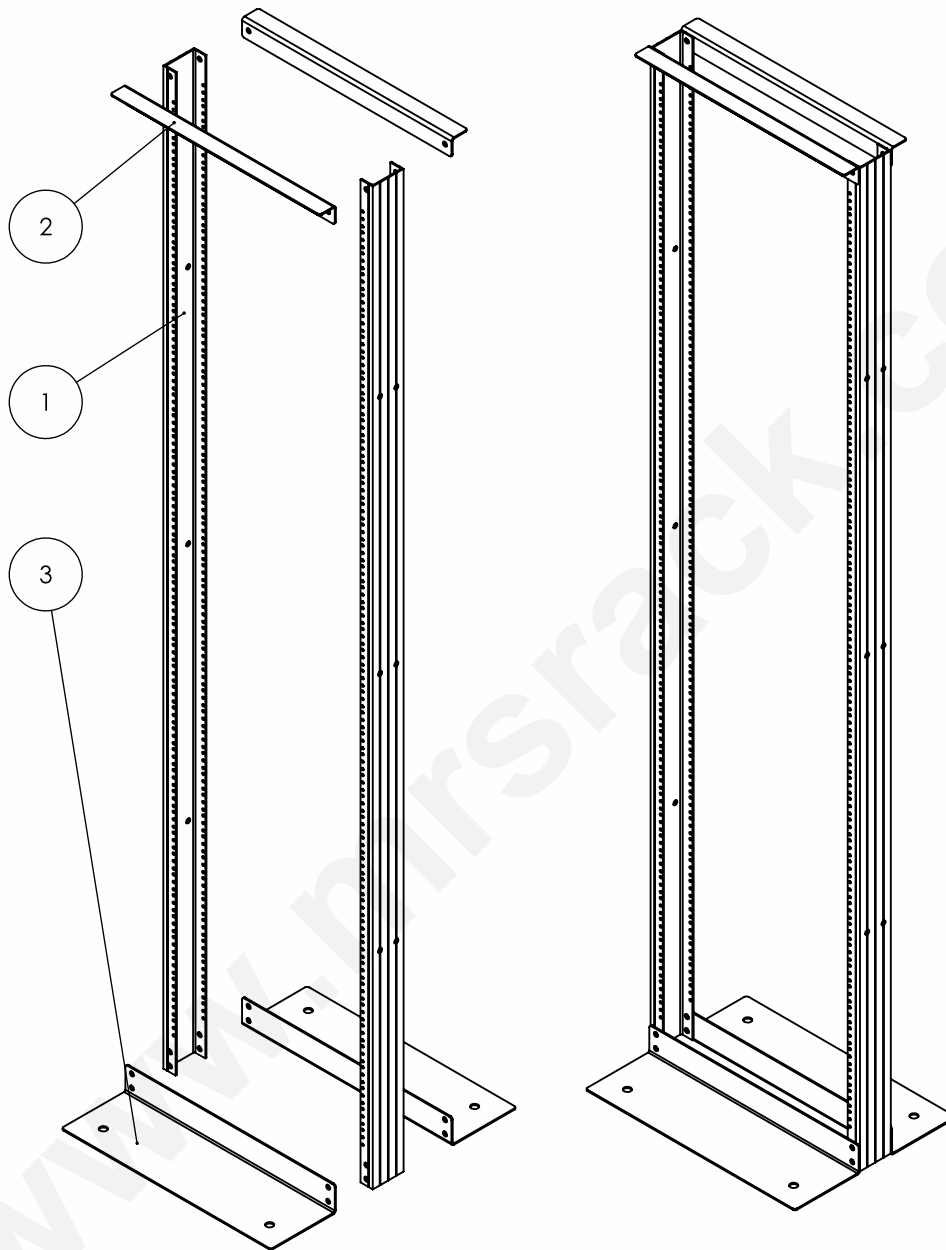
# Open Rack Series - 2 Post



**MRS** 2 post open frame ultra-rigid racks for high-density application for networking, labs and data center applications. The rack vertical frames are made out of aluminum/steel sheet profiles individually powder coated and bolted with the highest quality manufacturing standards. Available in 42U & 45U variants.

## Product Features

- ◆ Conforms to DIN 41494 OR equivalent ISO Standards.
- ◆ Two top angles and heavy-duty assembly hardware for a rack to handle heavier loading.
- ◆ Easy of assembling by high quality fasteners.
- ◆ Numbered U positions.
- ◆ High-strength, lightweight aluminum extrusion / steel sheet IS 513 grade constructions.
- ◆ M6/12-24/cage nut M6 mounting screws with combination Phillips/straight heads and pilot points / cage nuts to reduce installation time.
- ◆ Panel Mounting Holes: M6/12-24/cage nut M6 threads in both flanges.
- ◆ Conductive M6 tapped/12-24/cage nut M6 DIN standard holes-100% assured conductivity with the rack. Eliminate Separate grounding strip.
- ◆ Powder Coated provide a uniform appearance and protection against aluminum oxidation corrosion.
- ◆ Weight capacity of 1200Kgs Static (weight must be evenly distributed)
- ◆ 100% assured compatibility with all equipment conforming to DIN 41494. (General industrial standard)
- ◆ Grounding & Bonding Options.
- ◆ Custom configurations and assemblies available by special order.



- ❶ Vertical - Aluminum / Steel Sheet
- ❷ Top Angle - Aluminum / Steel Sheet
- ❸ Bottom Angle - Aluminum / Steel Sheet

## ▶ Optional Accessories:

- ◆ Cable Organizers
- ◆ Power Distribution Units
- ◆ Shelves
- ◆ Rack Ground Kits
- ◆ Cable Runways
- ◆ Extended Leg / Casters

## ▶ Technical Data

BASIC FRAME	Aluminum Section / Steel Sheet
RACK CONSTRUCTION	CKD (Knockdown)
RACK STANDARD	Conforms to DIN 41494 OR Equivalent Standard
EQUIPMENT MOUNTING	DIN Standard M6 Taped holes
STANDARD MOUNTING	Grouting
STANDARD FINISH	Powder Coating
STANDARD COLOR	RAL 9005 Black
STATIC LOAD	1200 Kgs

## ▶ Product Codes and Dimensions

PART CODE	Total Height in MM (H)	Usable Height in U (H)	Total Width in MM (W)	Usable Width in Inches (W)	Total Depth in MM (D)
MRS-2POR-42U	2007	42U	515	19"	82
MRS-2POR-45U	2140	45U	515	19"	82

1U = 44.45 mm / 1.75 Inch

**Note:**

1. Overall Height = Frame Height + Plinth.
2. Other models can be manufactured on request.
3. All dimensions are in mm



### MODULAR RACK SYSTEMS PVT. LTD.

No. 189 & 190, Nadikerappa Industrial Estate, Hegganahalli, Vishwanedam Post,  
Bangalore-560 091 INDIA • Tel: +91 80 28365042 • Fax: +91 80 28367881  
Mobile: +91 9108220086 • Email: admin@mrsrack.com



# Innovations Customized

**MRS**<sup>®</sup>  
**MODULAR**  
RACK SYSTEMS PVT LTD

**OPEN RACK  
SERIES**

**2 POST**

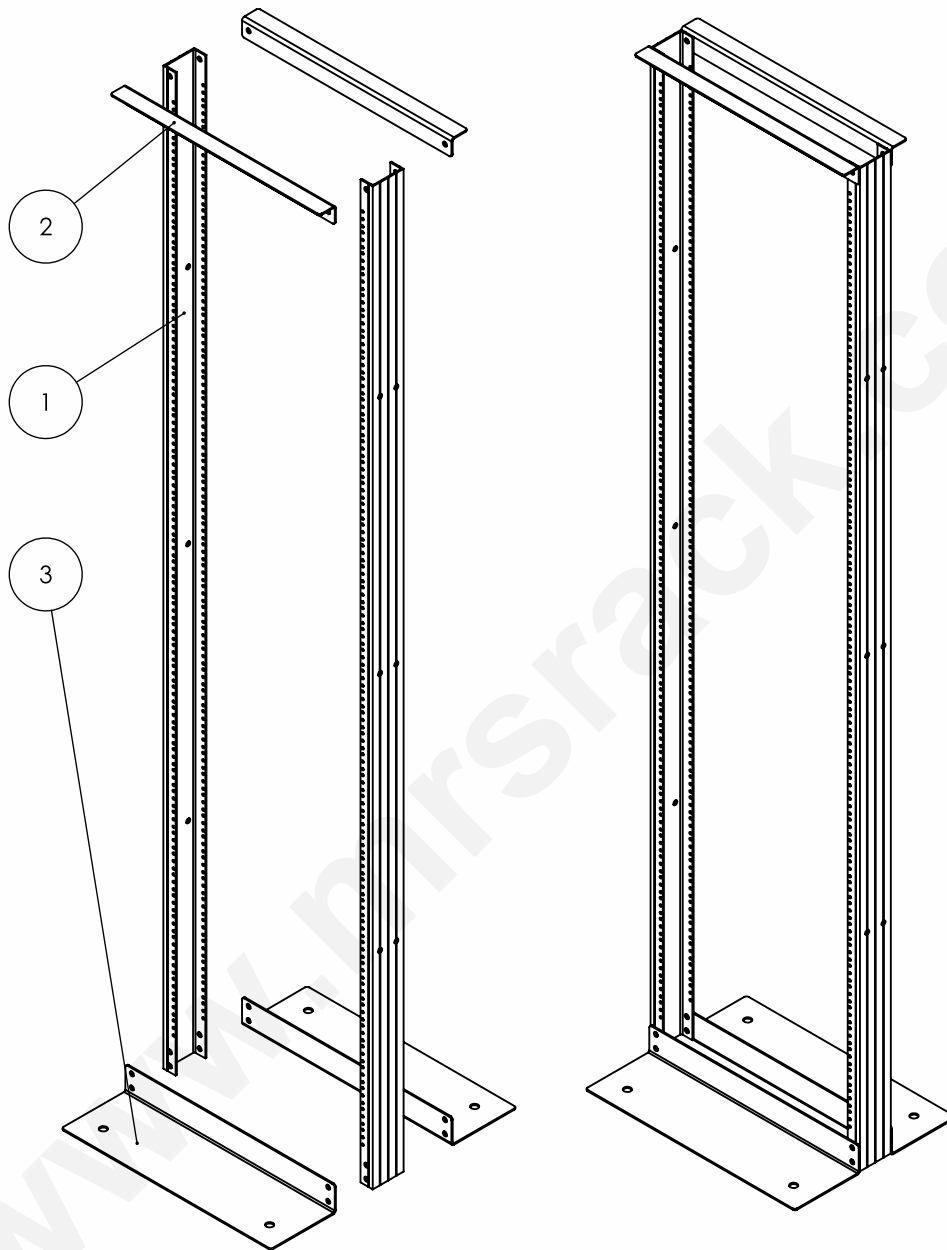




**MRS** 2 post open frame ultra-rigid racks for high-density application for networking, labs and data center applications. The rack vertical frames are made out of aluminum/steel sheet profiles individually powder coated and bolted with the highest quality manufacturing standards. Available in 42U & 45U variants.

## Product Features

- ◆ Conforms to DIN 41494 OR equivalent ISO Standards.
- ◆ Two top angles and heavy-duty assembly hardware for a rack to handle heavier loading.
- ◆ Easy of assembling by high quality fasteners.
- ◆ Numbered U positions.
- ◆ High-strength, lightweight aluminum extrusion / steel sheet IS 513 grade constructions.
- ◆ M6/12-24/cage nut M6 mounting screws with combination Phillips/straight heads and pilot points / cage nuts to reduce installation time.
- ◆ Panel Mounting Holes: M6/12-24/cage nut M6 threads in both flanges.
- ◆ Conductive M6 tapped/12-24/cage nut M6 DIN standard holes-100% assured conductivity with the rack. Eliminate Separate grounding strip.
- ◆ Powder Coated provide a uniform appearance and protection against aluminum oxidation corrosion.
- ◆ Weight capacity of 1200Kgs Static (weight must be evenly distributed)
- ◆ 100% assured compatibility with all equipment conforming to DIN 41494. (General industrial standard)
- ◆ Grounding & Bonding Options.
- ◆ Custom configurations and assemblies available by special order.



- ❶ Vertical - Aluminum / Steel Sheet
- ❷ Top Angle - Aluminum / Steel Sheet
- ❸ Bottom Angle - Aluminum / Steel Sheet

## ▶ Optional Accessories:

- ◆ Cable Organizers
- ◆ Power Distribution Units
- ◆ Shelves
- ◆ Rack Ground Kits
- ◆ Cable Runways
- ◆ Extended Leg / Casters

## ► Technical Data

BASIC FRAME	Aluminum Section / Steel Sheet
RACK CONSTRUCTION	CKD (Knockdown)
RACK STANDARD	Conforms to DIN 41494 OR Equivalent Standard
EQUIPMENT MOUNTING	DIN Standard M6 Taped holes
STANDARD MOUNTING	Grouting
STANDARD FINISH	Powder Coating
STANDARD COLOR	RAL 9005 Black
STATIC LOAD	1200 Kgs

## ► Product Codes and Dimensions

PART CODE	Total Height in MM (H)	Usable Height in U (H)	Total Width in MM (W)	Usable Width in Inches (W)	Total Depth in MM (D)
MRS-2POR-42U	2007	42U	515	19"	82

1U = 44.45 mm / 1.75 Inch

**Note:**

1. Overall Height = Frame Height + Plinth.
2. Other models can be manufactured on request.
3. All dimensions are in mm



### MODULAR RACK SYSTEMS PVT. LTD.

No. 189 & 190, Nadikerappa Industrial Estate, Hegganahalli, Vishwanedam Post,  
Bangalore-560 091 INDIA • Tel: +91 80 28365042 • Fax: +91 80 28367881  
Mobile: +91 9108220086 • Email: admin@mrsrack.com



# Innovations Customized

**MRS**<sup>®</sup>  
**MODULAR**  
RACK SYSTEMS PVT LTD

**OPEN RACK  
SERIES**

**2 POST**

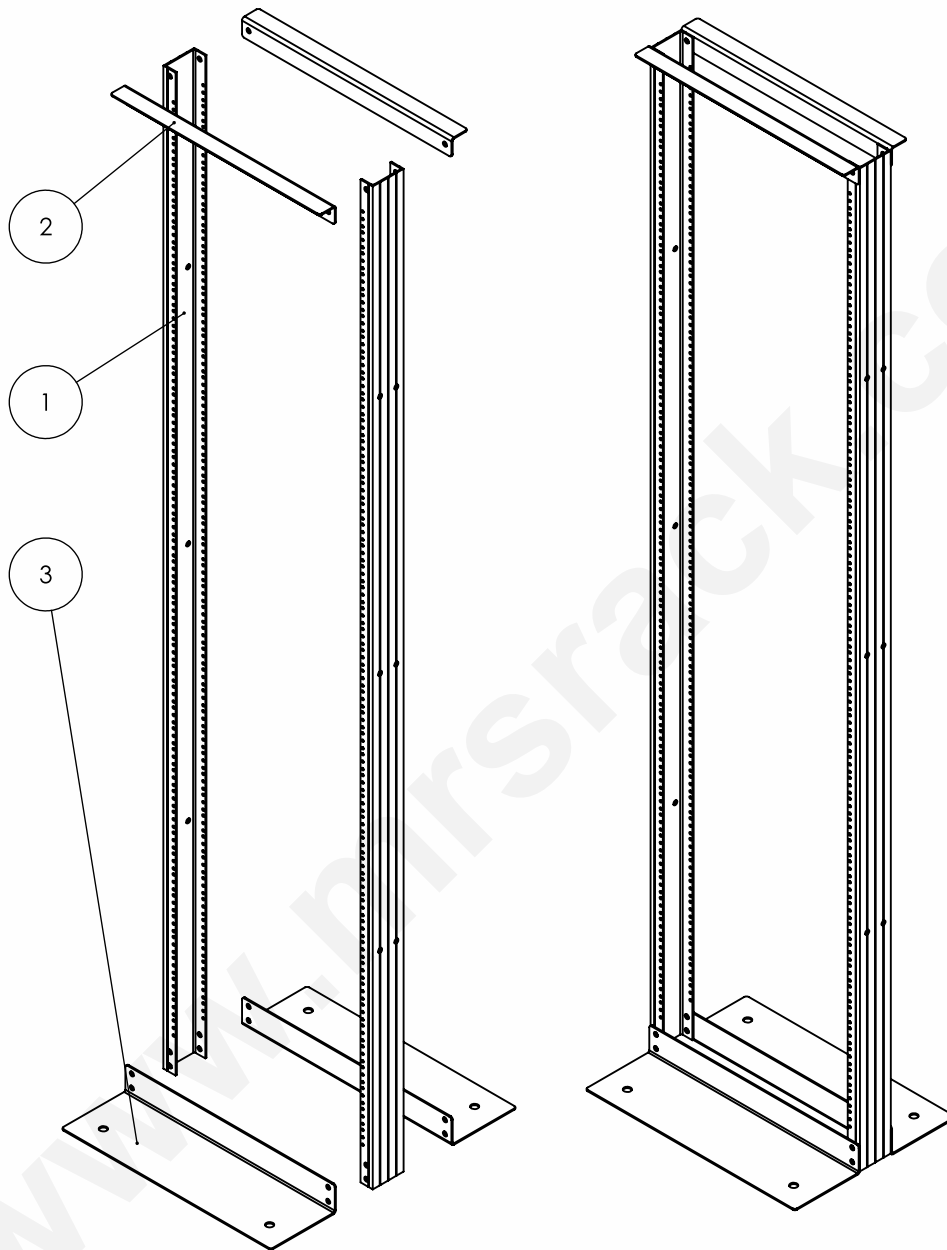




**MRS** 2 post open frame ultra-rigid racks for high-density application for networking, labs and data center applications. The rack vertical frames are made out of aluminum/steel sheet profiles individually powder coated and bolted with the highest quality manufacturing standards. Available in 42U & 45U variants.

## Product Features

- ◆ Conforms to DIN 41494 OR equivalent ISO Standards.
- ◆ Two top angles and heavy-duty assembly hardware for a rack to handle heavier loading.
- ◆ Easy of assembling by high quality fasteners.
- ◆ Numbered U positions.
- ◆ High-strength, lightweight aluminum extrusion / steel sheet IS 513 grade constructions.
- ◆ M6/12-24/cage nut M6 mounting screws with combination Phillips/straight heads and pilot points / cage nuts to reduce installation time.
- ◆ Panel Mounting Holes: M6/12-24/cage nut M6 threads in both flanges.
- ◆ Conductive M6 tapped/12-24/cage nut M6 DIN standard holes-100% assured conductivity with the rack. Eliminate Separate grounding strip.
- ◆ Powder Coated provide a uniform appearance and protection against aluminum oxidation corrosion.
- ◆ Weight capacity of 1200Kgs Static (weight must be evenly distributed)
- ◆ 100% assured compatibility with all equipment conforming to DIN 41494. (General industrial standard)
- ◆ Grounding & Bonding Options.
- ◆ Custom configurations and assemblies available by special order.



- ❶ Vertical - Aluminum / Steel Sheet
- ❷ Top Angle - Aluminum / Steel Sheet
- ❸ Bottom Angle - Aluminum / Steel Sheet

## ▶ Optional Accessories:

- ◆ Cable Organizers
- ◆ Power Distribution Units
- ◆ Shelves
- ◆ Rack Ground Kits
- ◆ Cable Runways
- ◆ Extended Leg / Casters

## ▶ Technical Data

BASIC FRAME	Aluminum Section / Steel Sheet
RACK CONSTRUCTION	CKD (Knockdown)
RACK STANDARD	Conforms to DIN 41494 OR Equivalent Standard
EQUIPMENT MOUNTING	DIN Standard M6 Taped holes
STANDARD MOUNTING	Grouting
STANDARD FINISH	Powder Coating
STANDARD COLOR	RAL 9005 Black
STATIC LOAD	1200 Kgs

## ▶ Product Codes and Dimensions

PART CODE	Total Height in MM (H)	Usable Height in U (H)	Total Width in MM (W)	Usable Width in Inches (W)	Total Depth in MM (D)
MRS-2POR-45U	2140	45U	515	19"	82

1U = 44.45 mm / 1.75 Inch

**Note:**

1. Overall Height = Frame Height + Plinth.
2. Other models can be manufactured on request.
3. All dimensions are in mm



### MODULAR RACK SYSTEMS PVT. LTD.

No. 189 & 190, Nadikerappa Industrial Estate, Hegganahalli, Vishwanedam Post,  
Bangalore-560 091 INDIA • Tel: +91 80 28365042 • Fax: +91 80 28367881  
Mobile: +91 9108220086 • Email: admin@mrsrack.com

