

Innovations Customized

MRS[®]
MODULAR
RACK SYSTEMS PVT LTD

**OPEN RACK
SERIES**

4 POST



Open Rack Series - 4 Post

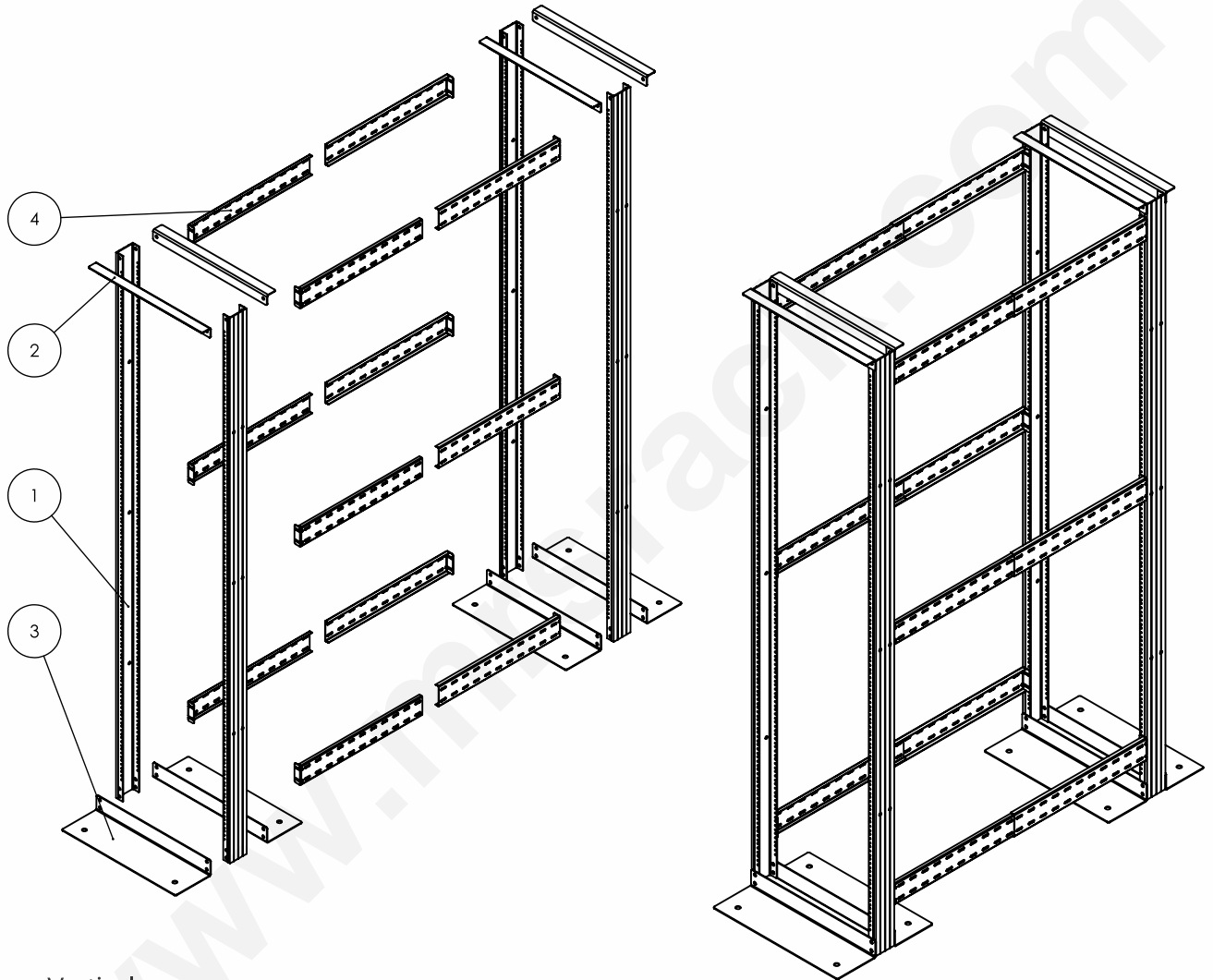


CERTIFIED

MRS 4 post open racks designed for use, high-density application Networking, telephone and voice mail equipment, routers, Data Centers, Telecom and Lab applications. Racks are made out of rugged aluminum/ steel sheet profile, Powder-coated, and bolted with the highest quality standards. The rigid construction and adjustable depths make this product suitable for mounting heavy and deep equipment that may exceed the capabilities of a standard 2-post bay rack.

Product Features

- ◆ Conforms to DIN 41494 OR equivalent ISO Standards.
- ◆ Top & bottom angles and heavy-duty assembly hardware for a rack to handle heavier loading.
- ◆ Easy of assembling by high quality fasteners.
- ◆ Numbered U positions.
- ◆ High-strength, lightweight aluminum extrusion constructions.
- ◆ M6/12-24/ cage nut M6 mounting screws with combination Phillips/straight heads and pilot points to reduce cross threading and installation time.
- ◆ Panel Mounting Holes: M6 / 12-24 threads in both flanges.
- ◆ Conductive M6 tapped DIN standard holes – 100% assured conductivity with the rack. Eliminate Separate grounding strip.
- ◆ Powder Coated provide a uniform appearance and protection against aluminum oxidation corrosion.
- ◆ Weight capacity of 1200 Kgs Static (weight must be evenly distributed)
- ◆ Heavy duty bottom (160X60X3Th) mm & top angles (40X40X3Th) mm and Vertical (32X76X32X5Th) mm to ensure up to 1200Kg static load capacity.
- ◆ Grounding & Bonding Options.
- ◆ Custom configurations and assemblies available by special order.



- ① Aluminum Vertical
- ② Top Angle
- ③ Bottom Angle
- ④ Depth Member

▶ Optional Accessories:

- ◆ Cantilever Shelves
- ◆ Cable Management – Horizontal / Vertical
- ◆ AC Main Channel – Horizontal / Vertical
- ◆ Earth Continuity Kit
- ◆ Fixed Shelves

► Technical Data

BASIC FRAME	Aluminum Section / Steel Sheet
RACK CONSTRUCTION	CKD (Knockdown)
RACK STANDARD	Conforms to DIN 41494 OR Equivalent Standard
EQUIPMENT MOUNTING	DIN Standard M6 / 12-24 Taped holes
STANDARD MOUNTING	Grouting
STANDARD FINISH	Powder Coating
STANDARD COLOR	RAL 9005 Black
STATIC LOAD	1200 Kgs

► Product Codes and Dimensions

PART CODE	Total Height in MM (H)	Usable Height in U (H)	Total Width in MM (W)	Usable Width in Inches (W)	Total Depth in MM (D)
MRS-4POR-42U	2007	42U	515	19"	710-1200
MRS-4POR-45U	2140	45U	515	19"	710-1200

1U = 44.45 mm / 1.75 Inch

Note:

1. Overall Height = Frame Height + Plinth.
2. Other models can be manufactured on request.
3. All dimensions are in mm



MODULAR RACK SYSTEMS PVT. LTD.

No. 189 & 190, Nadikerappa Industrial Estate, Hegganahalli, Vishwanedam Post,
Bangalore-560 091 INDIA • Tel: +91 80 28365042 • Fax: +91 80 28367881
Mobile: +91 9108220086 • Email: admin@mrsrack.com



Innovations Customized

MRS[®]
MODULAR
RACK SYSTEMS PVT LTD

**OPEN RACK
SERIES**

4 POST



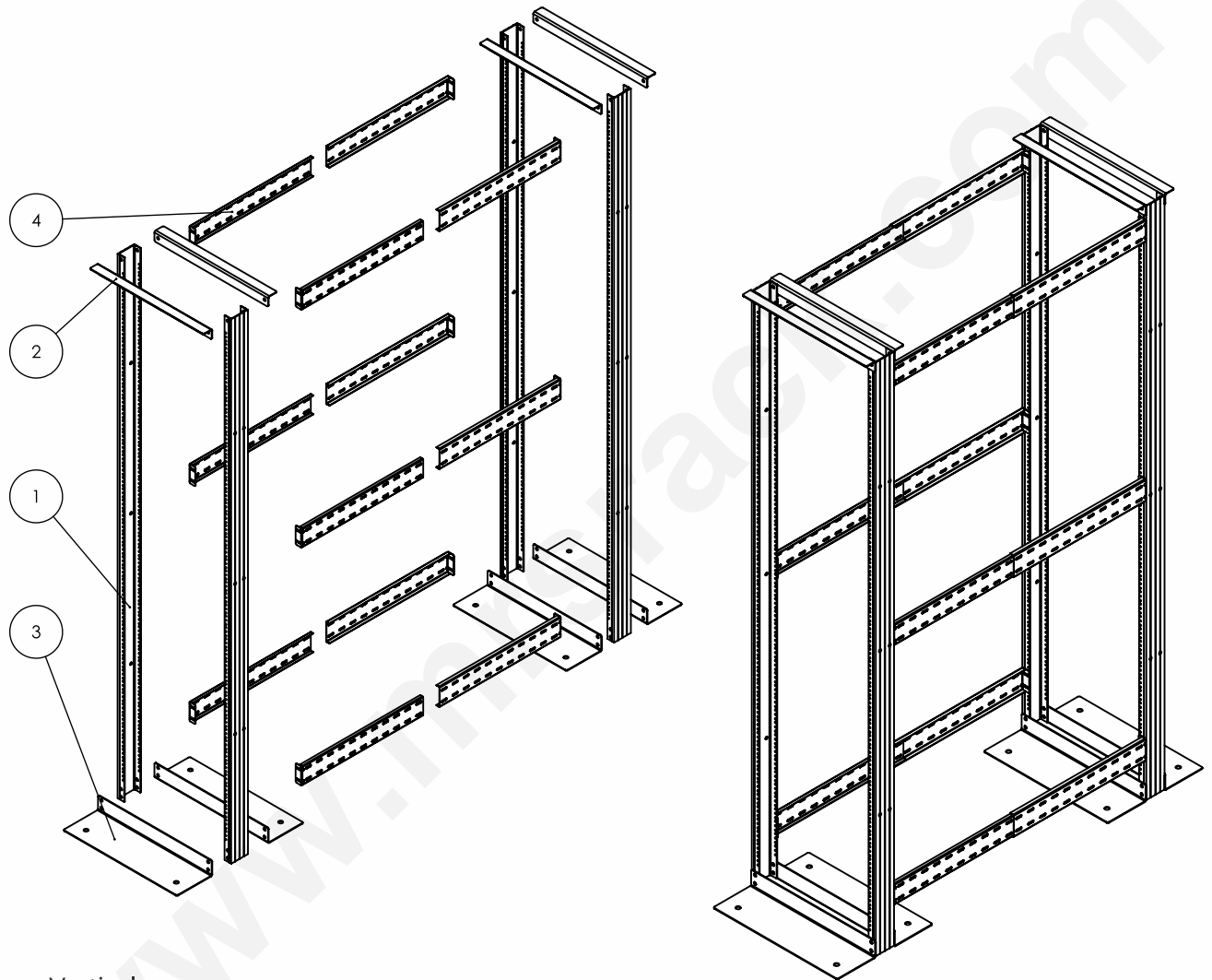


CERTIFIED

MRS 4 post open racks designed for use, high-density application Networking, telephone and voice mail equipment, routers, Data Centers, Telecom and Lab applications. Racks are made out of rugged aluminum/ steel sheet profile, Powder-coated, and bolted with the highest quality standards. The rigid construction and adjustable depths make this product suitable for mounting heavy and deep equipment that may exceed the capabilities of a standard 2-post bay rack.

Product Features

- ◆ Conforms to DIN 41494 OR equivalent ISO Standards.
- ◆ Top & bottom angles and heavy-duty assembly hardware for a rack to handle heavier loading.
- ◆ Easy of assembling by high quality fasteners.
- ◆ Numbered U positions.
- ◆ High-strength, lightweight aluminum extrusion constructions.
- ◆ M6/12-24/ cage nut M6 mounting screws with combination Phillips/straight heads and pilot points to reduce cross threading and installation time.
- ◆ Panel Mounting Holes: M6 / 12-24 threads in both flanges.
- ◆ Conductive M6 tapped DIN standard holes – 100% assured conductivity with the rack. Eliminate Separate grounding strip.
- ◆ Powder Coated provide a uniform appearance and protection against aluminum oxidation corrosion.
- ◆ Weight capacity of 1200 Kgs Static (weight must be evenly distributed)
- ◆ Heavy duty bottom (160X60X3Th) mm & top angles (40X40X3Th) mm and Vertical (32X76X32X5Th) mm to ensure up to 1200Kg static load capacity.
- ◆ Grounding & Bonding Options.
- ◆ Custom configurations and assemblies available by special order.



- ① Aluminum Vertical
- ② Top Angle
- ③ Bottom Angle
- ④ Depth Member

▶ Optional Accessories:

- ◆ Cantilever Shelves
- ◆ Cable Management – Horizontal / Vertical
- ◆ AC Main Channel – Horizontal / Vertical
- ◆ Earth Continuity Kit
- ◆ Fixed Shelves

▶ Technical Data

BASIC FRAME	Aluminum Section / Steel Sheet
RACK CONSTRUCTION	CKD (Knockdown)
RACK STANDARD	Conforms to DIN 41494 OR Equivalent Standard
EQUIPMENT MOUNTING	DIN Standard M6 / 12-24 Taped holes
STANDARD MOUNTING	Grouting
STANDARD FINISH	Powder Coating
STANDARD COLOR	RAL 9005 Black
STATIC LOAD	1200 Kgs

▶ Product Codes and Dimensions

PART CODE	Total Height in MM (H)	Usable Height in U (H)	Total Width in MM (W)	Usable Width in Inches (W)	Total Depth in MM (D)
MRS-4POR-42U	2007	42U	515	19"	710-1200

1U = 44.45 mm / 1.75 Inch

Note:

1. Overall Height = Frame Height + Plinth.
2. Other models can be manufactured on request.
3. All dimensions are in mm



MODULAR RACK SYSTEMS PVT. LTD.

No. 189 & 190, Nadikerappa Industrial Estate, Hegganahalli, Vishwanedam Post,
Bangalore-560 091 INDIA • Tel: +91 80 28365042 • Fax: +91 80 28367881
Mobile: +91 9108220086 • Email: admin@mrsrack.com



Innovations Customized

MRS[®]
MODULAR
RACK SYSTEMS PVT LTD

**OPEN RACK
SERIES**

4 POST



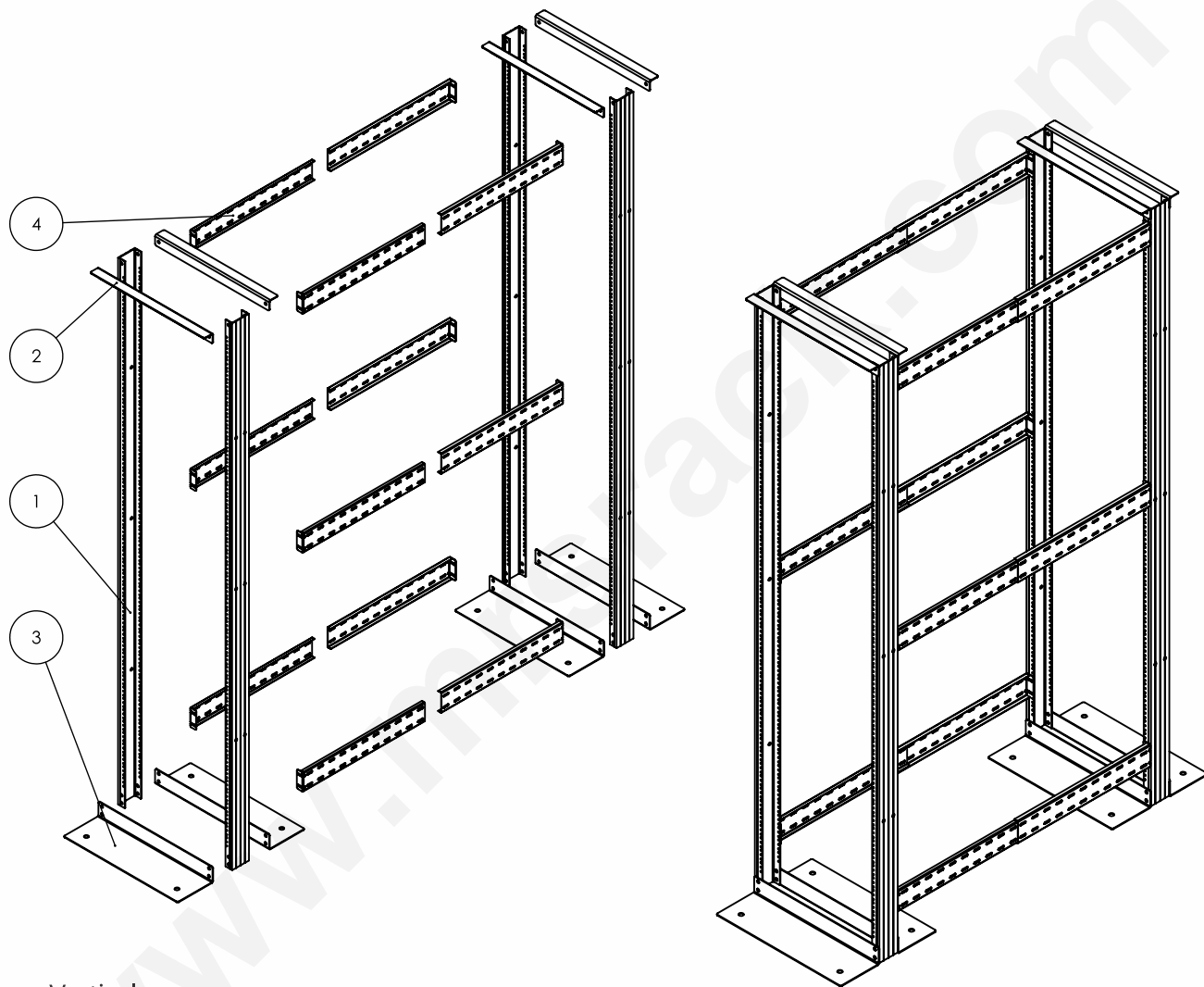


CERTIFIED

MRS 4 post open racks designed for use, high-density application Networking, telephone and voice mail equipment, routers, Data Centers, Telecom and Lab applications. Racks are made out of rugged aluminum/ steel sheet profile, Powder-coated, and bolted with the highest quality standards. The rigid construction and adjustable depths make this product suitable for mounting heavy and deep equipment that may exceed the capabilities of a standard 2-post bay rack.

Product Features

- ◆ Conforms to DIN 41494 OR equivalent ISO Standards.
- ◆ Top & bottom angles and heavy-duty assembly hardware for a rack to handle heavier loading.
- ◆ Easy of assembling by high quality fasteners.
- ◆ Numbered U positions.
- ◆ High-strength, lightweight aluminum extrusion constructions.
- ◆ M6/12-24/ cage nut M6 mounting screws with combination Phillips/straight heads and pilot points to reduce cross threading and installation time.
- ◆ Panel Mounting Holes: M6 / 12-24 threads in both flanges.
- ◆ Conductive M6 tapped DIN standard holes – 100% assured conductivity with the rack. Eliminate Separate grounding strip.
- ◆ Powder Coated provide a uniform appearance and protection against aluminum oxidation corrosion.
- ◆ Weight capacity of 1200 Kgs Static (weight must be evenly distributed)
- ◆ Heavy duty bottom (160X60X3Th) mm & top angles (40X40X3Th) mm and Vertical (32X76X32X5Th) mm to ensure up to 1200Kg static load capacity.
- ◆ Grounding & Bonding Options.
- ◆ Custom configurations and assemblies available by special order.



- ① Aluminum Vertical
- ② Top Angle
- ③ Bottom Angle
- ④ Depth Member

▶ Optional Accessories:

- ◆ Cantilever Shelves
- ◆ Cable Management – Horizontal / Vertical
- ◆ AC Main Channel – Horizontal / Vertical
- ◆ Earth Continuity Kit
- ◆ Fixed Shelves

▶ Technical Data

BASIC FRAME	Aluminum Section / Steel Sheet
RACK CONSTRUCTION	CKD (Knockdown)
RACK STANDARD	Conforms to DIN 41494 OR Equivalent Standard
EQUIPMENT MOUNTING	DIN Standard M6 / 12-24 Taped holes
STANDARD MOUNTING	Grouting
STANDARD FINISH	Powder Coating
STANDARD COLOR	RAL 9005 Black
STATIC LOAD	1200 Kgs

▶ Product Codes and Dimensions

PART CODE	Total Height in MM (H)	Usable Height in U (H)	Total Width in MM (W)	Usable Width in Inches (W)	Total Depth in MM (D)
MRS-4POR-45U	2140	45U	515	19"	710-1200

1U = 44.45 mm / 1.75 Inch

Note:

1. Overall Height = Frame Height + Plinth.
2. Other models can be manufactured on request.
3. All dimensions are in mm



MODULAR RACK SYSTEMS PVT. LTD.

No. 189 & 190, Nadikerappa Industrial Estate, Hegganahalli, Vishwanedam Post,
Bangalore-560 091 INDIA • Tel: +91 80 28365042 • Fax: +91 80 28367881
Mobile: +91 9108220086 • Email: admin@mrsrack.com

